



SONOMA FIREPLACE

Bring a taste of the Southwest to your backyard

With a unique arch design, the Sonoma Fireplace is a beautiful addition to your outdoor GreatRoom™. The high-heat output will warm you and your guests so everyone can enjoy those cool nights. Make your backyard an unforgettable place to relax with our unique Sonoma Fireplace.



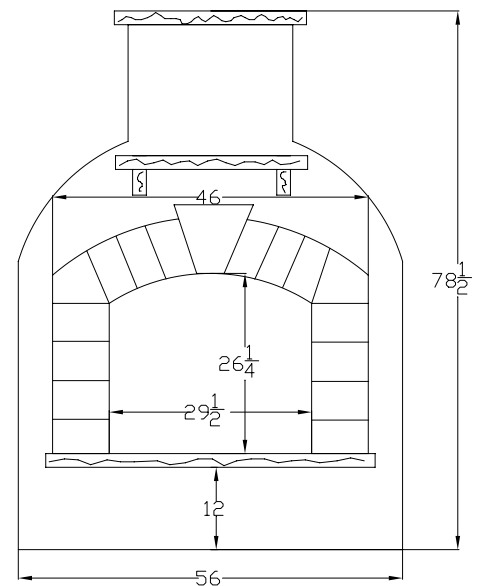
NOTE: Printing color may vary slightly from actual product.

Sonoma Fireplace Features

- Galvanized frame system with Hardibacker board and exterior stucco finish
- Available in Ameri-stone or grey stucco finish
- Glass fiber reinforced concrete mantel and top cap
- UL approved log set
- Gas log set is completely vent free and does not require a chimney
- Available in propane (LP) or natural gas (NG)
- Log set comes with a wind resistant pilot light
- Fire burns up to 8 hours with a 20-pound tank.
- Can be used on any flat surface, such as deck, concrete and brick pavers
- Stucco can be painted (but not the GFRC pieces)
- Easy 1-hour assembly
- 1 year warranty

Sonoma Fireplace

MODEL	HEIGHT	WIDTH	DEPTH	WEIGHT
SONFS42LP	78.5"	56"	28"	500 lbs
SONFS42NG	78.5"	56"	28"	500 lbs



Dimensions above are in inches. Reference dimensions only. We recommend measuring individual units at installation. Refer to installation manual for detailed specifications on installing this product.

