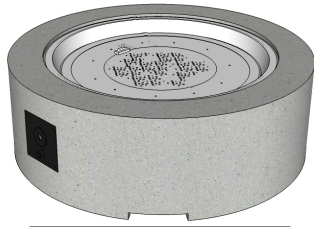
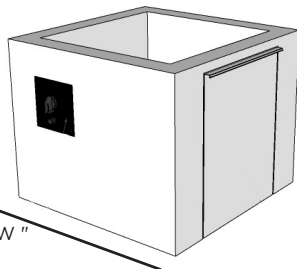
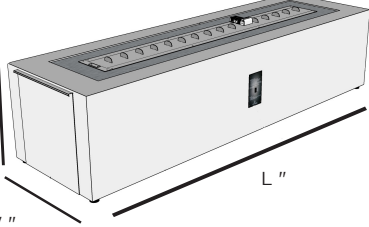

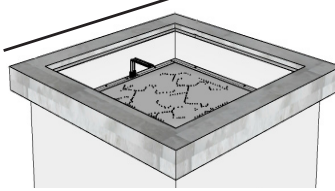
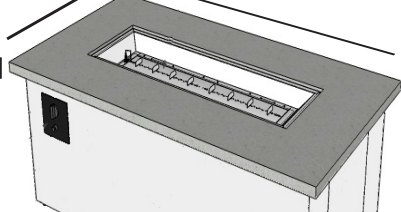


CUSTOM GAS FIRE PIT TABLE REQUEST FORM

Customer Name _____ Dealer Name _____ Date _____

Base Options  <p>Round</p> <p>H "</p> <p>Supercast™</p> <p>Ready To Finish</p> <p>Diameter "</p>	 <p>Square</p> <p>H "</p> <p>L + W "</p>	 <p>Linear</p> <p>H "</p> <p>W "</p> <p>L "</p>
Top Options  <p>Diameter "</p> <p>H "</p> <p>Supercast™</p>	 <p>L + W "</p> <p>H "</p>	 <p>W "</p> <p>L "</p> <p>H "</p>

Material Options

Finish on your own (Hardiebacker® cement boarding and steel framing)

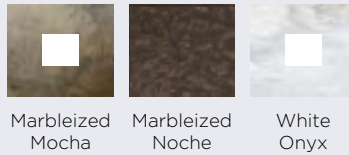
Top Material | **Supercast™ Concrete** **Edge Style:** Flat Chiseled Bull nose

*Standard top height/depth for Supercast™ is 1"

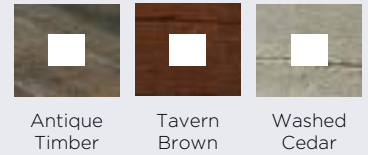
Smooth



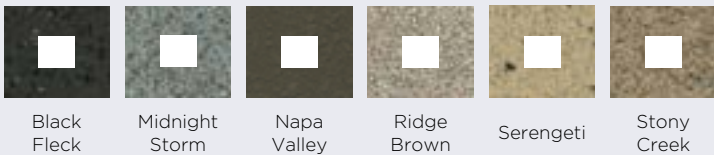
Marbleized



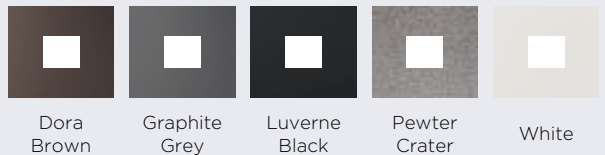
Wood Grain



Base Material | Stucco



Metal



*Colors may not be exact but are a close representation

Burner Options

Shape | Linear

- CFP1224-K
- CFP1242-K
- CFP1264
- CFP1272
- CFP1284
- CFP1296
- CFP12108
- CFP12120

- BP1224-A
- BP1236-A
- BP1242-A
- BP1260-A
- BP1264-A
- BP1272-A
- BP1284-A
- BP1296-A
- BP12108-A
- BP12120-A

Square

- CFP2424-K
- BP24S-A
- BP30S-A
- BP36S-A
- BP42S-A

Round

- CFP20-K
- CFP30-K
- BP20RD-A
- BP24RD-A
- BP30RD-A
- BP36RD-A
- BP42RD-A
- BP48RD-A

Ignition System

- Manual ignition (VCSV)
- Direct spark ignition (DSI)

Fuel Type

- Natural gas
- Liquid propane (Specify hard-pipe or tank: _____)
- LP tank access door

Accessories

- Glass guard
- Glass cover
- Supercast cover
- Stainless steel cover

Custom

Custom length or shape (Specify: _____)

Submit completed form to sales@outdoorrooms.com.

Download the form at outdoorrooms.com/custom.