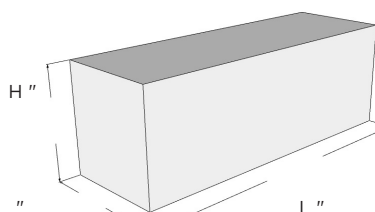
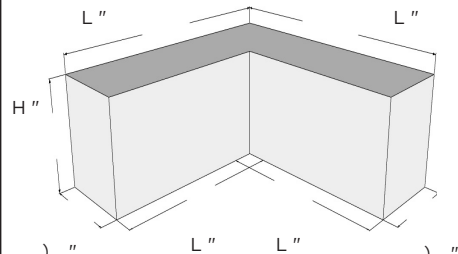
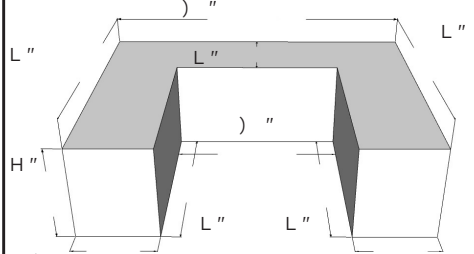
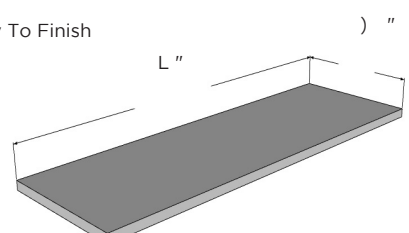
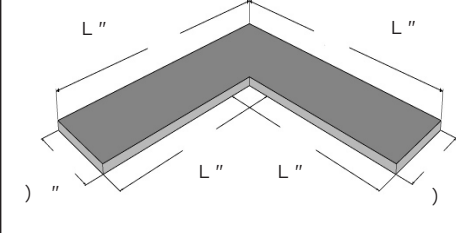
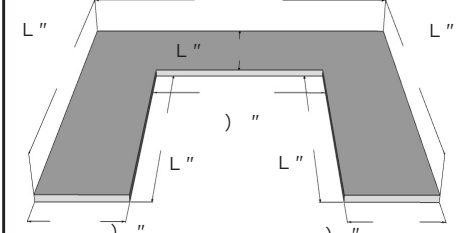


CUSTOM OUTDOOR KITCHEN REQUEST FORM

Customer Name _____ Dealer Name _____ Date _____

<p>Base Options Ready To Finish</p> <p>I Shape</p> 	<p>L Shape</p> 	<p>U Shape</p> 
<p>Top Options Ready To Finish</p> 		

Outdoor Kitchen Style




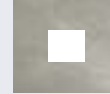


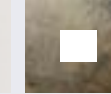
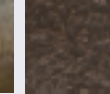

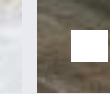


Flat counter Backsplash (no back bar) Countertop overhang (_____) Elevated back bar (standard 12" overhang)

Material Options




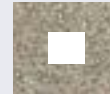
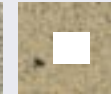
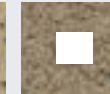
Finish on your own (Hardiebacker® cement boarding and steel framing)

Top Material | **Supercast™ Concrete** **Edge Style:** Flat Chiseled Bull nose






*Standard top height/depth for Supercast™ is 1"

Smooth						Marbleized			Wood Grain		
											
Deep Black	Midnight Mist	Mocha	Natural Grey	Sand	White	Marbleized Mocha	Marbleized Noche	White Onyx	Antique Timber	Tavern Brown	Washed Cedar

Base Material | **Stucco**

					
Black Fleck	Midnight Storm	Napa Valley	Ridge Brown	Serengeti	Stony Creek

Metal

				
Dora Brown	Graphite Grey	Luverne Black	Pewter Crater	White

*Colors may not be exact but are a close representation

Accessory Options

Storage

<input type="checkbox"/> 16DRW2	<input type="checkbox"/> 21SINGL-V
<input type="checkbox"/> 16DRW3	<input type="checkbox"/> 25ICEBIN
<input type="checkbox"/> 30DRW1	<input type="checkbox"/> 28SINGL-H
<input type="checkbox"/> 32DDDC	<input type="checkbox"/> 20TRO
<input type="checkbox"/> 30ICEINS	<input type="checkbox"/> DAR044A5BSLDD
<input type="checkbox"/> 32DRYSTO	<input type="checkbox"/> 25DAD <input type="checkbox"/> 32DAD

Additional Features

<input type="checkbox"/> Grill (Brand: _____, Model: _____, Cut-out dimensions: _____)
<input type="checkbox"/> Crystal Fire® Plus burner (SKU: _____)
<input type="checkbox"/> Sink <input type="checkbox"/> Umbrella hole <input type="checkbox"/> Paper tower holder <input type="checkbox"/> Outlets(s) (Qty: _____)
<input type="checkbox"/> Hardiebacker island floor <input type="checkbox"/> Enclose accessory cutouts with Hardiebacker
<input type="checkbox"/> Other (Specify: _____)

Submit completed form to sales@outdoorrooms.com.

Download the form at outdoorrooms.com/custom.